



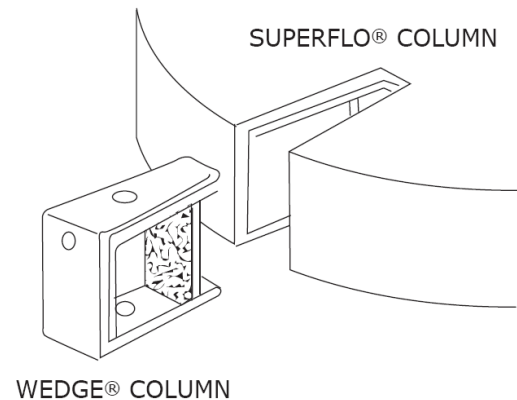
Wedge® Column

Sepragen's dedicated process chromatographic engineers and scientists have responded to the scalability problem by designing the WEDGE® radial column. The WEDGE® fully exploits the separation capability and high capacity of low-cost soft media as well as the faster flow media currently available. It does this without compromising performance in terms of chromatographic separation, efficiency and productivity. WEDGE® columns incorporate the patented design of radial flow and traditional axial flow column chromatography. This permits simple linear scale-up of your bioprocess from lab scale axial columns to large-scale radial flow chromatographic columns.



The Benefits

- True Linear Easy Scale-Up
- Easy Validated Packing Procedure
- High Flow Rates with Soft Media
- Low Pressure
- High Productivity
- Higher Yields
- Superior Distribution
- Consistency in Performance



Sizes and Materials

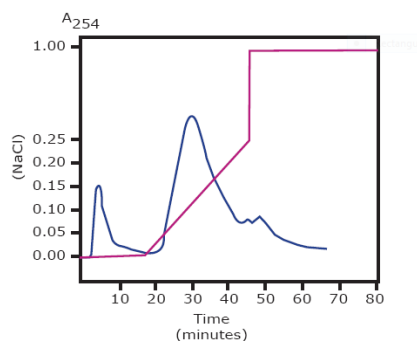
Wedge® Columns come in various sizes or they can be customized to your specific needs. Our standard Acrylic Wedge® columns come in sizes 5 mL to 1000 mL with 10 cm bed height and 250 mL to 1000 mL with 15 cm bed height. The standard Stainless Steel Wedge® Columns range in size from 250 mL to 1000 mL with 10 cm bed height. The Stainless Steel Wedge® Columns come with 10 micron stainless steel frits. Columns exhibit excellent chemical resistance in the range of pH 2-12.



Stainless Steel Wedge 1000Column

SCALE-UP OF 400ML WEDGE® TO 12L RADIAL FLOW

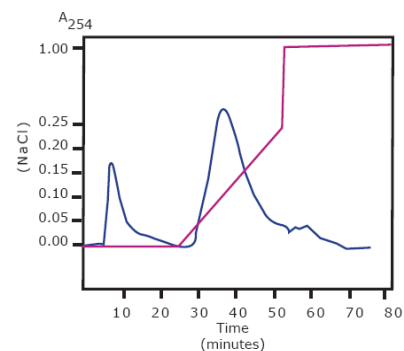
400 ml Wedge®



System: QuantaSep® 1000
Sample: 20 mls Bovine Serum
Flow Rate: 95 ml/min
Media: DEAE
Protein Content: 7.1 grams/100ml Diluted serum
Buffer: 0.05 M Tris-HCl, pH 7.1
Gradient: 0.25 M NaCl in Tris Buffer



12 L RFC



System: QuantaSep® 5L ISOLC
Sample: 600 mls Bovine Serum
Flow Rate: 2850 ml/min
Media: DEAE
Protein Content: 7.1 grams/100ml Diluted serum
Buffer: 0.05 M Tris-HCl, pH 7.1
Gradient: 0.25 M NaCl in Tris Buffer

For additional sizes or special requirements
please inquire



(510) 475-0650

E-mail: info@sepragen.com